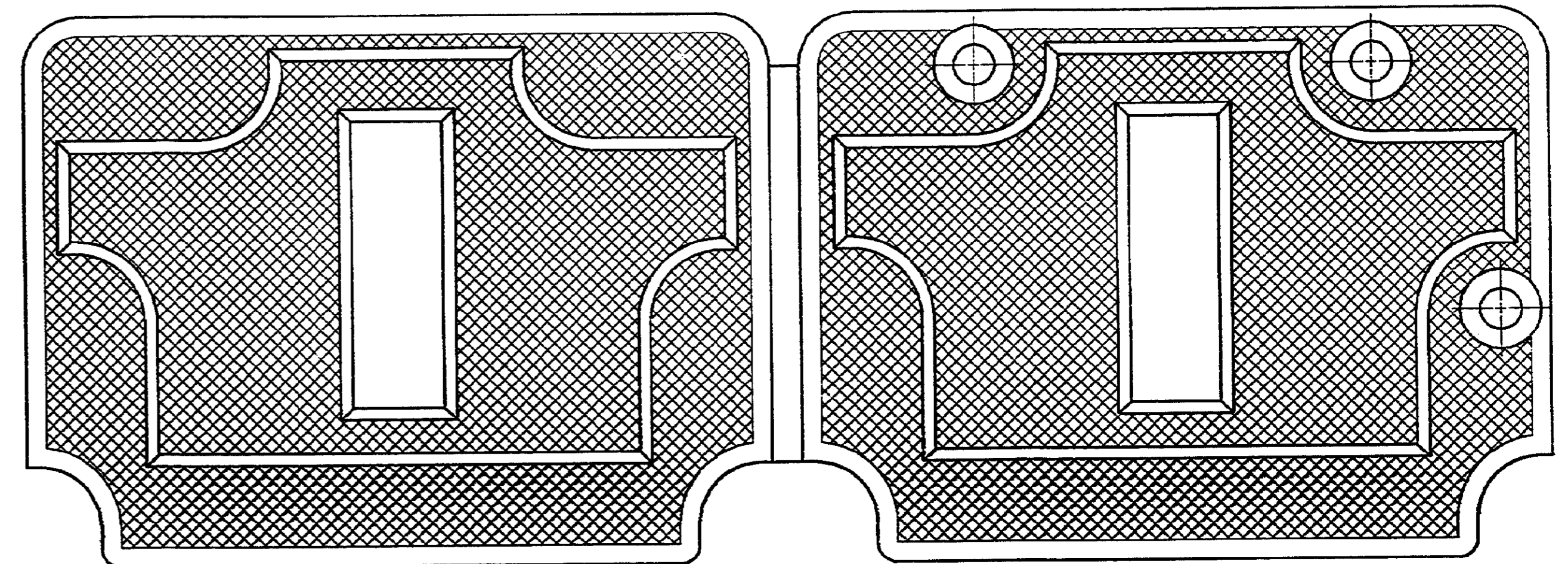
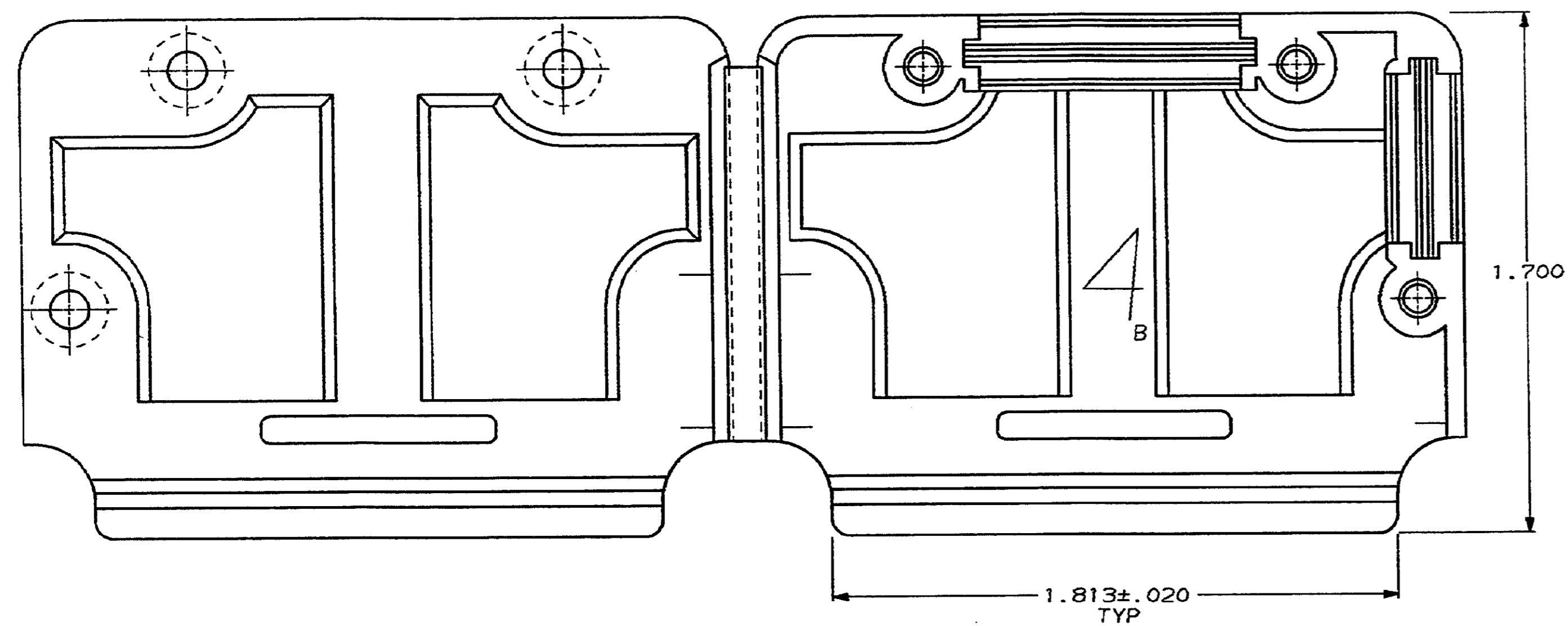
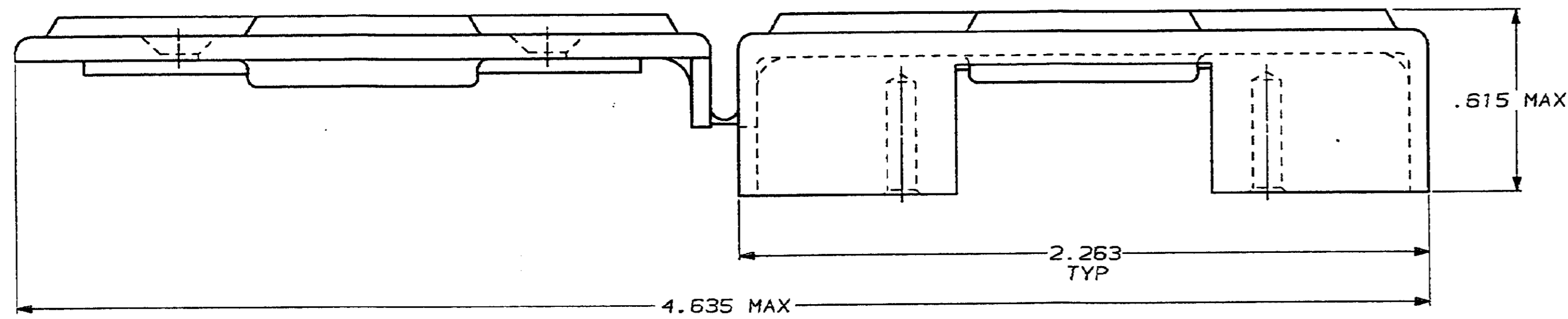


DRAWING MADE IN THIRD ANGLE PROJECTION
 THIS DRAWING IS UNPUBLISHED. RELEASED FOR PUBLICATION
 © COPYRIGHT 19 BY AMP INCORPORATED, HARRISBURG, PA. ALL INTERNATIONAL RIGHTS RESERVED. AMP PRODUCTS MAY BE COVERED BY U.S. AND FOREIGN PATENTS AND/OR PATENTS PENDING.

LOC		DIST		REVISONS		DATE	APPD
BD	39	P	F	ZONE	LTR	DESCRIPTION	
				B		REVISED & REDRAWN ECN-1465	-



AS SHOWN	207474-1
REMARKS	PART NUMBER

UNLESS OTHERWISE SPECIFIED DIMENSIONS ARE IN INCHES TOLERANCES ON:		AMP INCORPORATED Harrisburg, Pa. 17105	
2 PL DEC ± .01	3 PL DEC ± .005	ANGLES ± .01	NAME
MATERIAL POLYPROPYLENE COLOR: BLACK			CABLE CLAMP HOUSING, SIZE 4, ONE PIECE, 90° & 180° EXIT, AMPLIMITE®
FINISH			SIZE FSCM NO DRAWING NO
-			D 00779 207474
WEIGHT			SCALE NTS SHEET 1 OF 1
-			CUSTOMER DRAWING